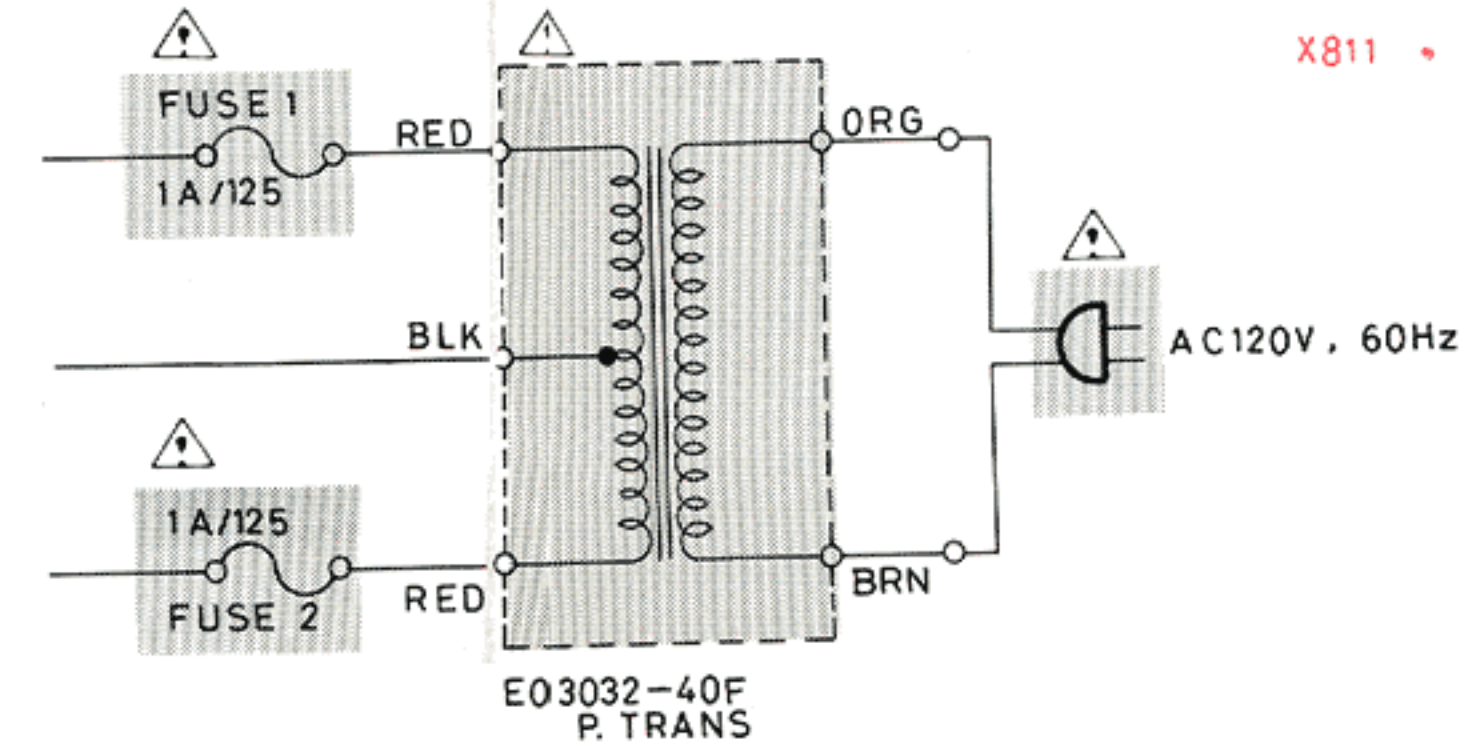


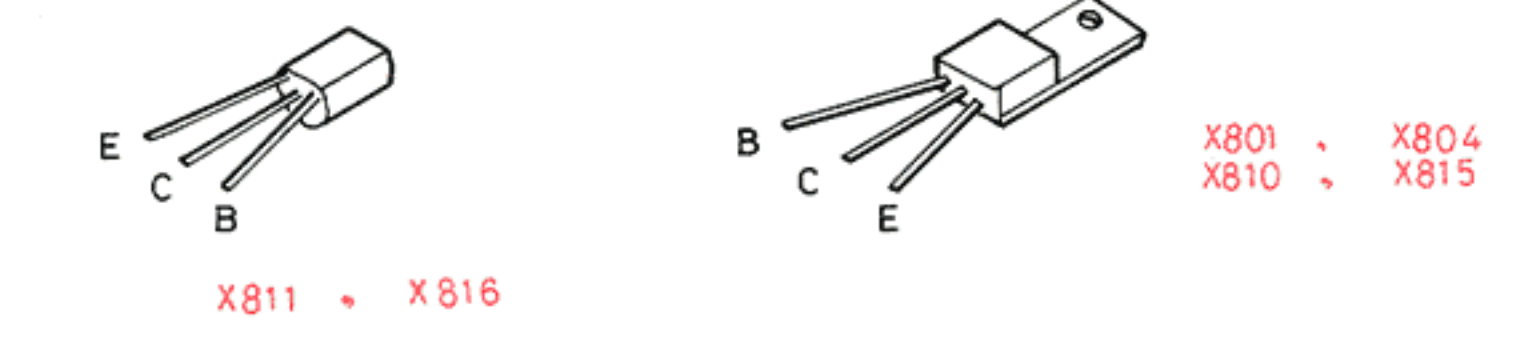
J & C (for USA & Canada)



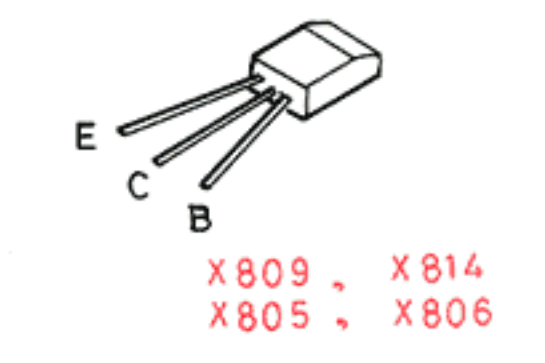
2SD438 (E)  
2SB560 (E)

2SD325 (E)  
2SB511 (E)  
2SB507V(E)

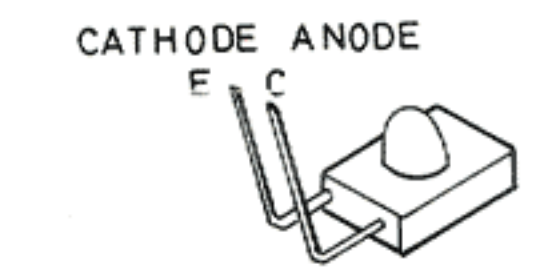
2SD313V (E)



2SD571 (L-K)  
2SB605 (K-L)



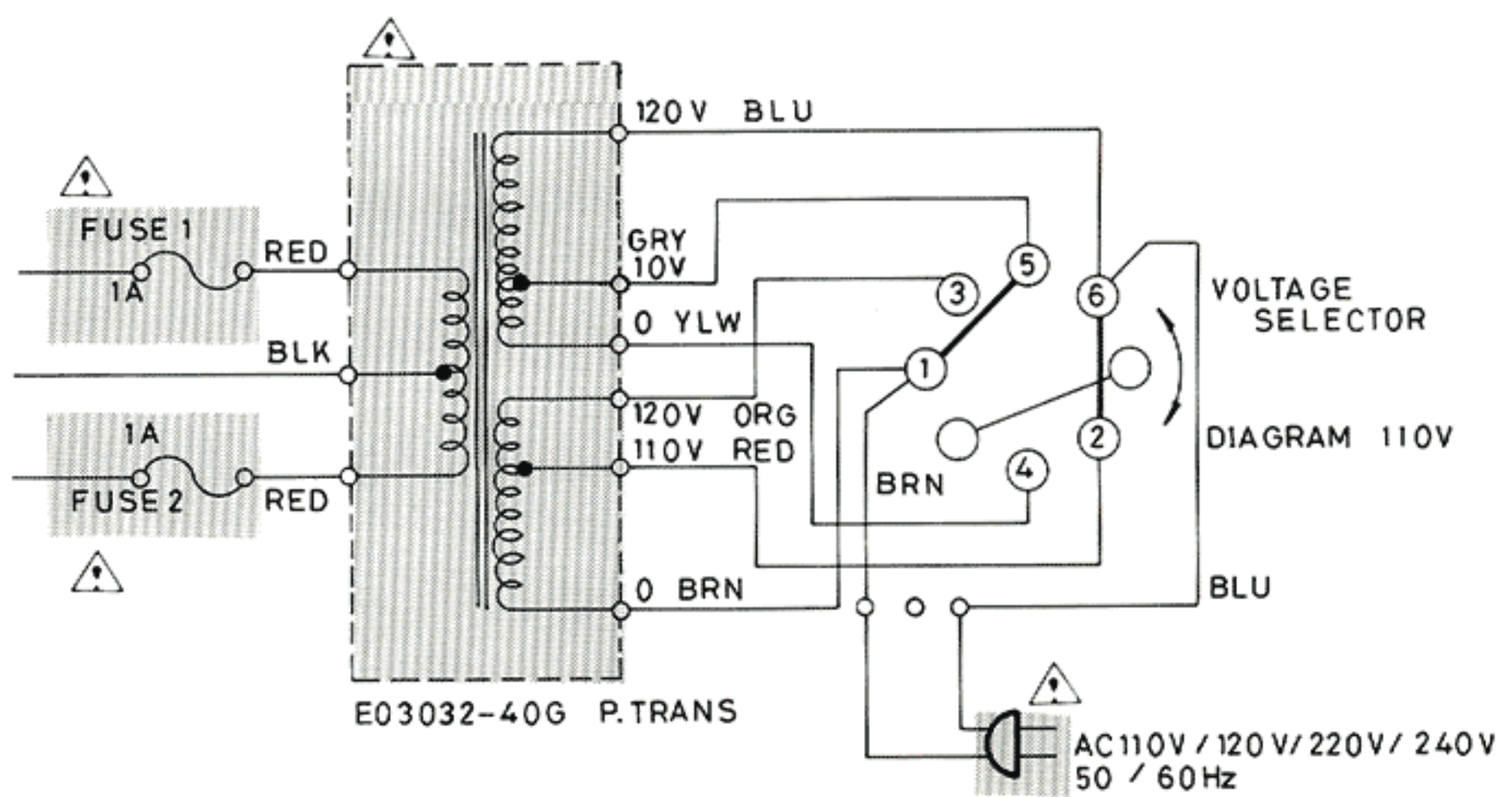
2SC945A (P Q)  
2SA733A (P Q)  
2SA733A (P K)



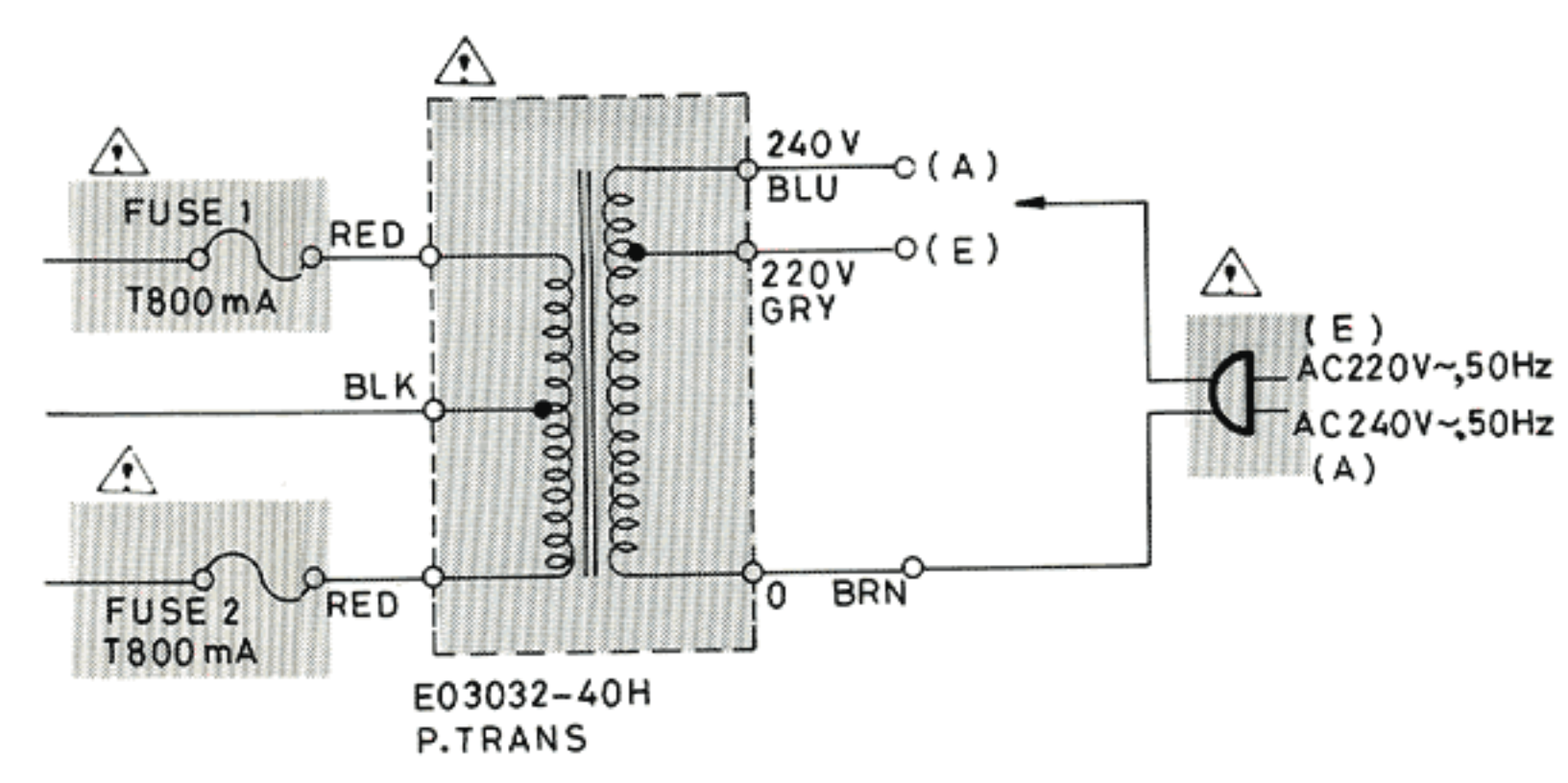
X802 • X803  
X807 • X808  
X812 • X813  
X817 ~ X819

LN221RP, LN321GP

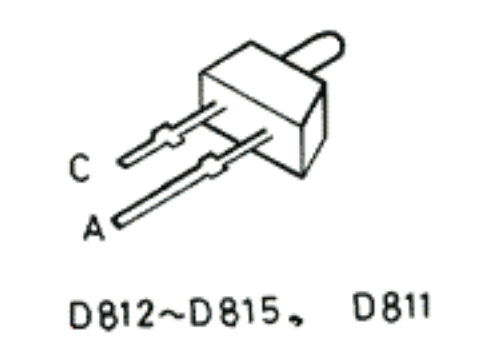
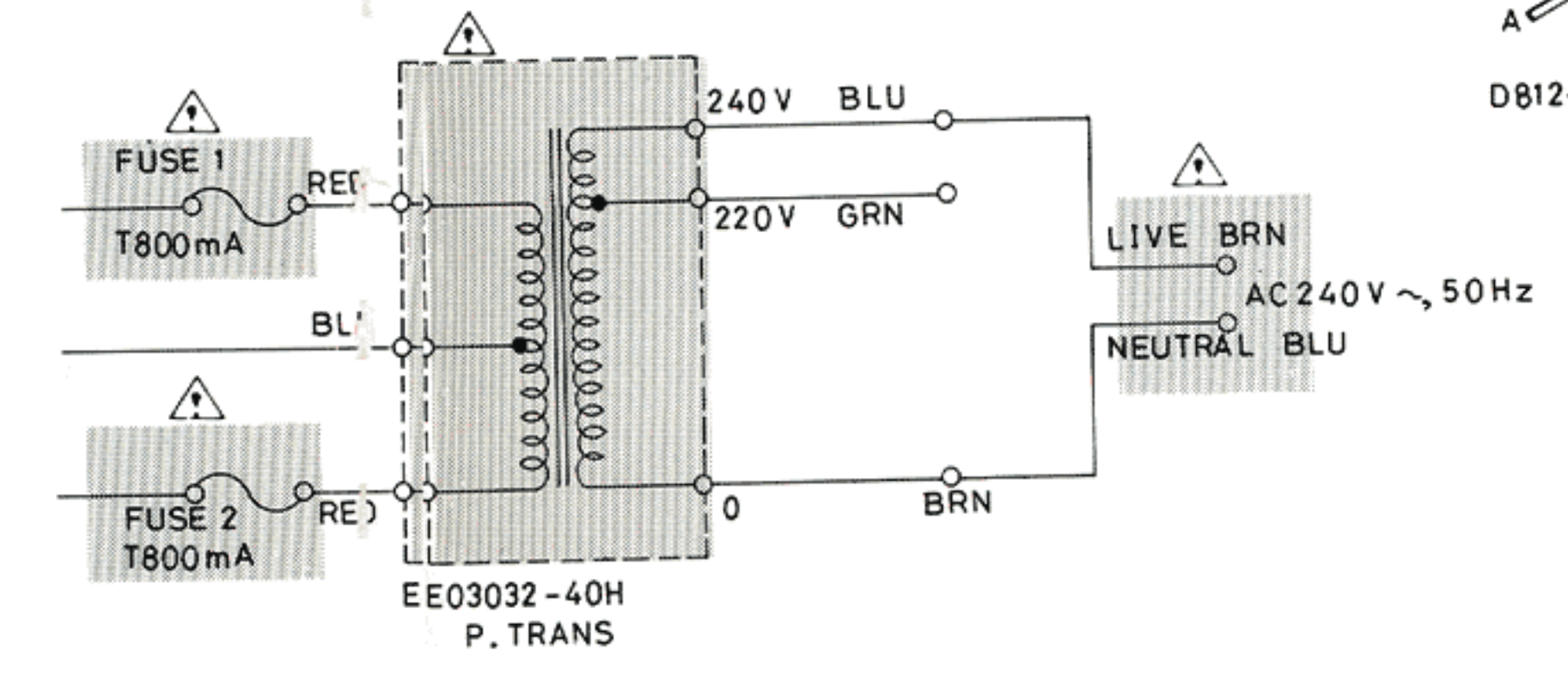
P & U (for Pacex & Other areas)



E & A (for Europe & Australia)



BS (for England)



ERB12-02RKL1



D801

VOLT	110 V	120 V	240 V	220 V
CONNECTION	1-5, 2-6	3-6, 1-4	3-4	2-5

HA17741PS  
NJM 4558D  
NJM 4558D-D

TC4016BP

TC4052BP

UPD554C-033

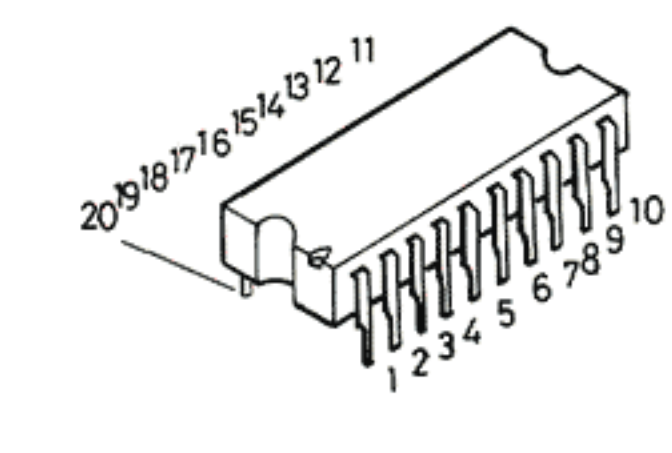
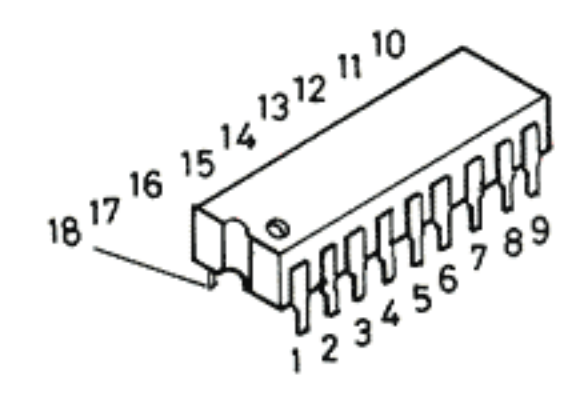
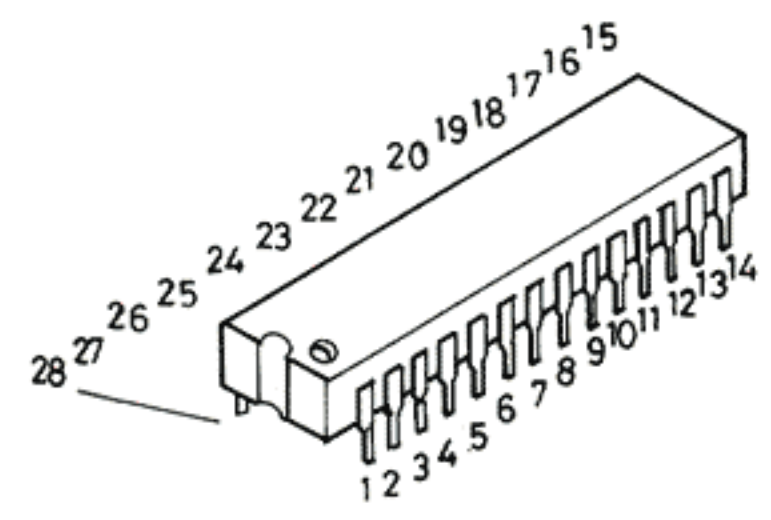
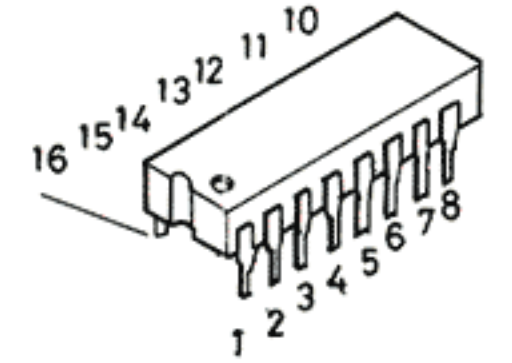
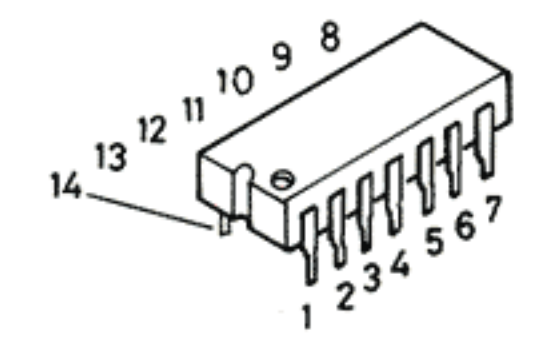
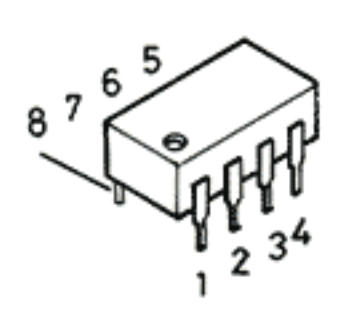
VC 4046

VC 5021

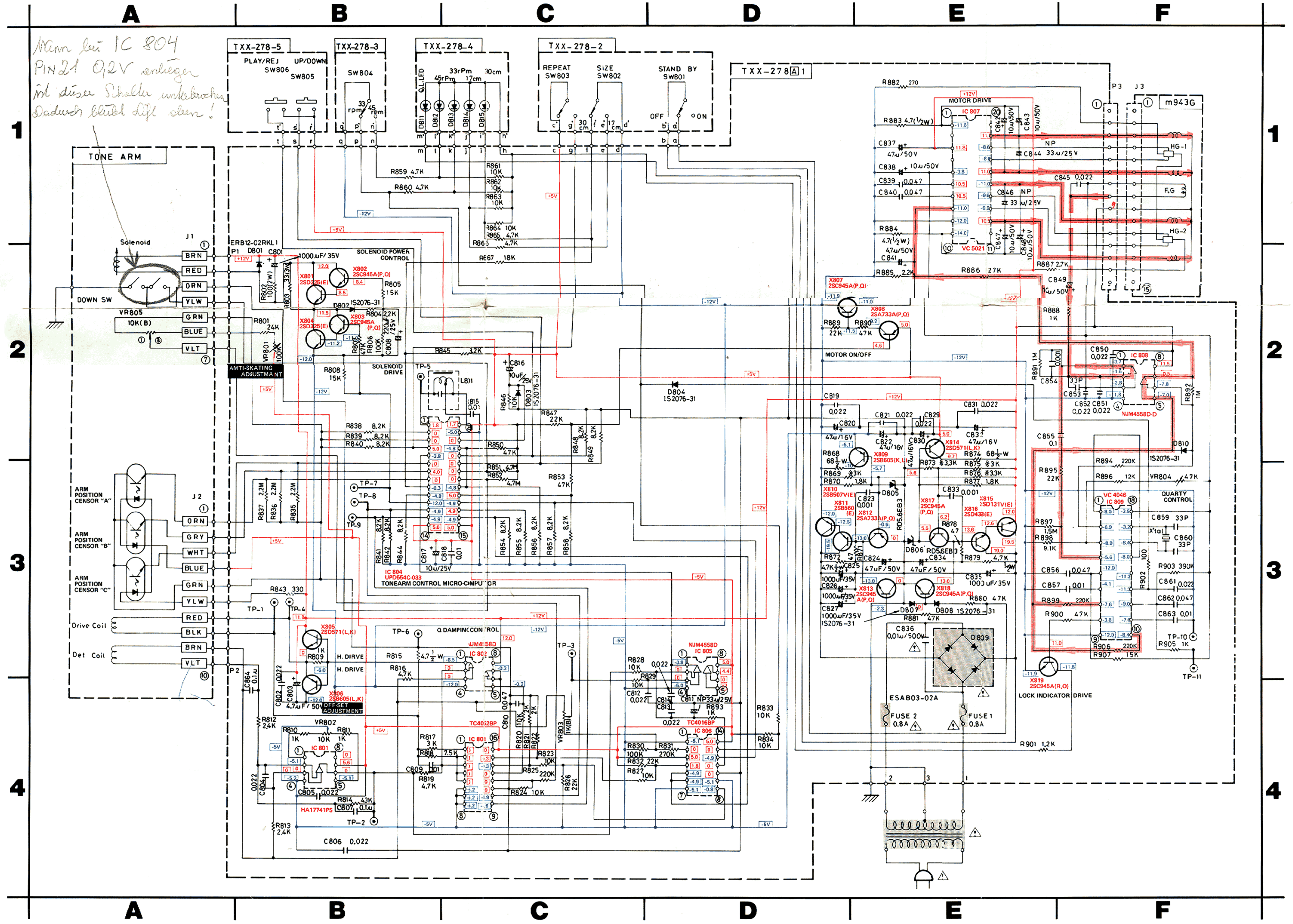
RD5,6EB3

1S2076-31

ESAE



# 12. QL-Y3F Schematic Diagram



**Notes:**

1. Voltage values in   are positive.
2. Voltage values in   are negative.
3. — indicates positive B power supply.
4. — indicates negative B power supply.
5. — indicates signal path.

6. When replacing the parts in the darkened area (  ) and those marked with △, be sure to use the designated parts to ensure safety.
7. Parts in red indicate transistors or ICs.
8. This is the standard circuit diagram.  
The design and contents are subject to change without notice.